

Cover **156** part numbers with
just **28** MotoBatt batteries.



- Reduce your battery inventory by nearly 85%!
- Turn your battery inventory 8 times more often!
- Quit messing around with electrolyte!
- MotoBatt is an AGM battery, a type of Sealed Lead Acid battery!
- Get all the benefits of a Gel Battery at a sensible price!

Conventional	AH	Dimensions in MM			Dimensions in Inches			MOTOBATT	AH	DIMENSIONS IN MM			DIMENSIONS IN INCHES			Notes
		L	W	H	L	W	H			L	W	H	L	W	H	
12N5-3B	5	120	60	130	4.72	2.36	5.12	MB5U	7	120	60	130	4.72	2.36	5.12	
12N5.5-3B	5.5	135	60	130	5.31	2.36	5.12	MB5.5U	7	135	60	130	5.31	2.36	5.12	
12N5.5-4A	5.5	135	60	130	5.31	2.36	5.12	MB5.5U	7	135	60	130	5.31	2.36	5.12	
12N7-3A	7	135	75	133	5.31	2.95	5.24	MB9U	11	136	76	133	5.35	2.99	5.24	
12N7-3B	7	135	75	133	5.31	2.95	5.24	MB9U	11	136	76	133	5.35	2.99	5.24	
12N7-4A	7	135	75	133	5.31	2.95	5.24	MB9U	11	136	76	133	5.35	2.99	5.24	
12N7-4B	7	135	75	133	5.31	2.95	5.24	MB9U	11	136	76	133	5.35	2.99	5.24	
12N7D-3B	7	135	75	150	5.31	2.95	5.90	MB9U	11	136	76	153	5.35	2.99	6.02	with 20mm spacer
12N9-3A	9	135	75	139	5.31	2.95	5.47	MB9U	11	136	76	139	5.35	2.99	5.47	with 6mm spacer
12N9-3A-1	9	135	75	139	5.31	2.95	5.47	MB9U	11	136	76	139	5.35	2.99	5.47	with 6mm spacer
12N9-3B	9	135	75	139	5.31	2.95	5.47	MB9U	11	136	76	139	5.35	2.99	5.47	with 6mm spacer
12N9-4B-1	9	135	75	139	5.31	2.95	5.47	MB9U	11	136	76	139	5.35	2.99	5.47	with 6mm spacer
12N10-3A	10	135	90	145	5.31	3.54	5.71	MB10U	14.5	135	90	146	5.31	3.54	5.75	
12N10-3A-1	10	135	90	145	5.31	3.54	5.71	MB10U	14.5	135	90	146	5.31	3.54	5.75	
12N10-3A-2	10	135	90	145	5.31	3.54	5.71	MB10U	14.5	135	90	146	5.31	3.54	5.75	
12N10-3B	10	135	90	145	5.31	3.54	5.71	MB10U	14.5	135	90	146	5.31	3.54	5.75	
12N11-3A	11	135	90	155	5.31	3.54	6.10	MB10U	14.5	135	90	155	5.31	3.54	6.10	with 9mm spacer
12N11-3A-1	11	135	90	155	5.31	3.54	6.10	MB10U	14.5	135	90	155	5.31	3.54	6.10	with 9mm spacer
12N11-3B	11	135	90	155	5.31	3.54	6.10	MB10U	14.5	135	90	155	5.31	3.54	6.10	with 9mm spacer
12N12-4A	12	134	80	160	5.28	3.15	6.30	MB12U	15	134	80	161	5.28	3.15	6.34	
12N12A-4A-1	12	134	80	160	5.28	3.15	6.30	MB12U	15	134	80	161	5.28	3.15	6.34	
KMX14-BS	12	150	87	145	5.91	3.43	5.71	MBTX12U	14	151	87	145	5.94	3.43	5.71	with 15mm spacer
12N14-3A	14	134	89	166	5.28	3.50	6.54	MBTX14AU	16.5	135	90	168	5.31	3.54	6.61	
12N14-3B	14	134	89	166	5.28	3.50	6.54	MBTX14AU	16.5	135	90	168	5.31	3.54	6.61	
12N16-3A	16	176	101	156	7.00	3.98	6.14	MBTX20U	21	175	87	155	6.89	3.43	6.10	
12N16-3B	16	175	100	155	6.89	3.94	6.10	MBTX20U	21	175	87	155	6.89	3.43	6.10	
12N16-4A	16	176	101	156	7.00	3.98	6.14	MBTX20U	21	175	87	155	6.89	3.43	6.10	
12N16-4B	16	176	101	156	7.00	3.98	6.14	MBTX20U	21	175	87	155	6.89	3.43	6.10	
12N18-3	18	206	91	164	8.11	3.58	6.46	MBTX24U	25	205	87	162	8.07	3.43	6.38	
12N18-3A	18	206	91	164	8.11	3.58	6.46	MBTX24U	25	205	87	162	8.07	3.43	6.38	
Y50-N18A-A	20	205	90	175	8.07	3.54	6.93	MBTX24U	25	205	87	176	8.07	3.43	6.93	with 14mm spacer
Y50-N18L-A	20	205	90	162	8.07	3.54	6.38	MBTX24U	25	205	87	162	8.07	3.43	6.38	
Y50-N18L-A2	20	205	90	162	8.07	3.54	6.38	MBTX24U	25	205	87	162	8.07	3.43	6.38	
Y50-N18L-A3	20	205	90	162	8.07	3.54	6.38	MBTX24U	25	205	87	162	8.07	3.43	6.38	
SY50N18LA	20	205	90	162	8.07	3.54	6.38	MBTX24U	25	205	87	162	8.07	3.43	6.38	
SY50-N18L-AT	20	205	90	162	8.07	3.54	6.38	MBTX24U	25	205	87	162	8.07	3.43	6.38	
Y50-N18L-A-CX	20	205	90	162	8.07	3.54	6.38	MBTX24U	25	205	87	162	8.07	3.43	6.38	
12N24-3	24	184	124	175	7.24	4.88	6.89	MBTX30U	32	166	126	175	6.54	4.96	6.89	
12N24-4	24	184	124	175	7.24	4.88	6.89	MBTX30U	32	166	126	175	6.54	4.96	6.89	
12N24-3A	24	184	124	175	7.24	4.88	6.89	MBTX30U	32	166	126	175	6.54	4.96	6.89	
12N24-4A	24	184	124	175	7.24	4.88	6.89	MBTX30U	32	166	126	175	6.54	4.96	6.89	
53030	30	186	130	171	7.32	5.12	6.73	MBTX30U	32	166	126	175	6.54	4.96	6.89	
Y60-N24-A	28	184	124	175	7.24	4.88	6.89	MBTX30U	32	166	126	175	6.54	4.96	6.89	
Y60-N24L-A	28	184	124	175	7.24	4.88	6.89	MBTX30U	32	166	126	175	6.54	4.96	6.89	
Y60-N24L-A2	28	184	124	175	7.24	4.88	6.89	MBTX30U	32	166	126	175	6.54	4.96	6.89	
Y60-N24AL-B	28	184	124	175	7.24	4.88	6.89	MBTX30U	32	166	126	175	6.54	4.96	6.89	
Y60-N30L-A	30	187	130	170	7.36	5.12	6.69	MBTX30U	32	166	126	175	6.54	4.96	6.89	
Y60-N30L-B	30	187	130	170	7.36	5.12	6.69	MBTX30U	32	166	126	175	6.54	4.96	6.89	
YB2.5-C	2.5	80	70	105	3.15	2.76	4.13	MB2.5U	2.5	80	70	105	3.15	2.76	4.13	
YB2.5-C-1	2.5	80	70	105	3.15	2.76	4.13	MB2.5U	2.5	80	70	105	3.15	2.76	4.13	
YB2.5-C-2	2.5	80	70	105	3.15	2.76	4.13	MB2.5U	2.5	80	70	105	3.15	2.76	4.13	
YB3LA	3	98	56	110	3.86	2.20	4.33	MB3U	3.8	98	56	110	3.86	2.20	4.33	
YB3LB	3	98	56	110	3.86	2.20	4.33	MB3U	3.8	98	56	110	3.86	2.20	4.33	
YB4L-A	4	120	70	92	4.72	2.76	3.62	MBTX4U	4.7	114	70	87	4.49	2.76	3.43	
YB4L-B	4	120	70	92	4.72	2.76	3.62	MBTX4U	4.7	114	70	87	4.49	2.76	3.43	
YB5L-B	5	120	60	130	4.72	2.36	5.12	MB5U	7	120	60	130	4.72	2.36	5.12	
YB7B-B	7	150	60	130	5.91	2.36	5.12	MB7BB	9	150	60	130	5.91	2.36	5.12	
YB7-A	8	135	75	133	5.31	2.95	5.24	MB9U	11	136	76	133	5.35	2.99	5.24	
YB7AA	8	135	75	150	5.31	2.95	5.91	MB9U	11	136	76	133	5.35	2.99	5.24	with 16mm spacer
YB7L-A	8	135	75	133	5.31	2.95	5.24	MB9U	11	136	76	133	5.35	2.99	5.24	
YB7L-B	8	135	75	133	5.31	2.95	5.24	MB9U	11	136	76	133	5.35	2.99	5.24	
YB9A	9	135	75	139	5.31	2.95	5.47	MB9U	11	136	76	133	5.35	2.99	5.24	with 6mm spacer
YB9A-A	9	135	75	155	5.31	2.95	6.10	MB9U	11	136	76	155	5.35	2.99	6.10	with 22mm spacer
YB9A2	9	135	75	139	5.31	2.95	5.47	MB9U	11	136	76	133	5.35	2.99	5.24	with 6mm spacer
YB9-B	9	135	75	139	5.31	2.95	5.47	MB9U	11	136	76	139	5.35	2.99	5.47	with 6mm spacer
YB9B2	9	135	75	139	5.31	2.95	5.47	MB9U	11	136	76	133	5.35	2.99	5.24	with 6mm spacer
YB9L-A2	9	135	75	139	5.31	2.95	5.47	MB9U	11	136	76	139	5.35	2.99	5.47	with 6mm spacer
YB9L-B2	9	135	75	139	5.31	2.95	5.47	MB9U	11	136	76	133	5.35	2.99	5.24	with 6mm spacer
YB9L-B	9	135	75	139	5.31	2.95	5.47	MB9U	11	136	76	139	5.35	2.99	5.47	with 6mm spacer
YB10A-A2	11	135	90	155	5.31	3.54	6.10	MB10U	14.5	135	90	155	5.31	3.54	6.10	with 9mm spacer
YB10L-A2	11	135	90	145	5.31	3.54	5.71	MB10U	14.5	135	90	146	5.31	3.54	5.75	
YB10L-B	11	135	90	145	5.31	3.54	5.71	MB10U	14.5	135	90	146	5.31	3.54	5.75	
YB10L-B2	11	135	90	145	5.31	3.54	5.71	MB10U	14.5	135	90	146	5.31	3.54	5.75	
YB12A-A	12	134	80	160	5.28	3.15	6.30	MB12U	15	134	80	161	5.28	3.15	6.34	
YB12AAS	12	134	80	160	5.28	3.15	6.30	MB12U	15	134	80	161	5.28	3.15	6.34	
YB12A-A-WS	12	134	80	160	5.28	3.15	6.30	MB12U	15	134	80	161	5.28	3.15	6.34	
YB12A-B	12	134	80	160	5.28	3.15	6.30	MB12U	15	134	80	161	5.28	3.15	6.34	
YB12AL-A	12	134	80	160	5.28	3.15	6.30	MB12U	15	134	80	161	5.28	3.15	6.34	
YB12AL-A2	12	134	80	160	5.28	3.15	6.30	MB12U	15	134	80	161	5.28	3.15	6.34	

Conventional	AH	Dimensions in MM			Dimensions in Inches			MOTOBATT	AH	DIMENSIONS IN MM			DIMENSIONS IN INCHES			Notes
		L	W	H	L	W	H			L	W	H	L	W	H	
YB12C-A	12	134	80	175	5.28	3.15	6.89	MBI2U	15	134	80	175	5.28	3.15	6.89	with 14mm spacer
YB14-A1	14	134	89	166	5.28	3.50	6.54	MBTX14AU	16.5	135	90	168	5.31	3.54	6.61	
YB14-A2	14	134	89	166	5.28	3.50	6.54	MBTX14AU	16.5	135	90	168	5.31	3.54	6.61	
YB14AA	14	134	89	176	5.28	3.50	6.93	MBTX14AU	16.5	135	90	176	5.31	3.54	6.93	with 8mm spacer
YB14A-A1	14	134	89	176	5.28	3.50	6.93	MBTX14AU	16.5	135	90	176	5.31	3.54	6.93	with 8mm spacer
YB14A-A2	14	134	89	176	5.28	3.50	6.93	MBTX14AU	16.5	135	90	176	5.31	3.54	6.93	with 8mm spacer
YB14-B1	14	134	89	166	5.28	3.50	6.54	MBTX14AU	16.5	135	90	168	5.31	3.54	6.61	
YB14-B2	14	134	89	166	5.28	3.50	6.54	MBTX14AU	16.5	135	90	168	5.31	3.54	6.61	
YB14L-A1	14	134	89	166	5.28	3.50	6.54	MBTX14AU	16.5	135	90	168	5.31	3.54	6.61	
YB14L-A2	14	134	89	166	5.28	3.50	6.54	MBTX14AU	16.5	135	90	168	5.31	3.54	6.61	
YB14L-A2-WS	14	134	89	166	5.28	3.50	6.54	MBTX14AU	16.5	135	90	168	5.31	3.54	6.61	
YB14L-B1	14	134	89	166	5.28	3.50	6.54	MBTX14AU	16.5	135	90	168	5.31	3.54	6.61	
YB14L-B2	14	134	89	166	5.28	3.50	6.54	MBTX14AU	16.5	135	90	168	5.31	3.54	6.61	
SYB14L-A2	14	134	89	166	5.28	3.50	6.54	MBTX14AU	16.5	135	90	168	5.31	3.54	6.61	
SYB14L-B2	14	134	89	166	5.28	3.50	6.54	MBTX14AU	16.5	135	90	168	5.31	3.54	6.61	
YB16A	19	175	100	155	6.89	3.94	6.10	MBTX20U	21	175	87	155	6.89	3.43	6.10	
YB16A2	19	175	100	155	6.89	3.94	6.10	MBTX20U	21	175	87	155	6.89	3.43	6.10	
YB16AL-A2	16	207	71.5	164	8.15	2.81	6.46	MBI6AU	20.5	207	72	164	8.15	2.83	6.46	
HYB16AA	16	151	91	181	5.94	3.58	7.09	MBI6A	17.5	151	91	181	5.84	3.58	7.09	
HYB16A-AB	16	151	91	181	5.94	3.58	7.09	MBI6A	17.5	151	91	181	5.84	3.58	7.09	
YB16B-A	16	160	90	161	6.30	3.54	6.34	MBI6U	20	160	90	161	6.30	3.54	6.34	
YB16B-A1	16	160	90	161	6.30	3.54	6.34	MBI6U	20	160	90	161	6.30	3.54	6.34	
YB16L-A2	16	160	90	161	6.30	3.54	6.34	MBI6U	20	160	90	161	6.30	3.54	6.34	
YB16L-A	19	175	100	155	6.89	3.94	6.10	MBTX20U	21	175	87	155	6.89	3.43	6.10	
YB16-B	19	175	100	155	6.89	3.94	6.10	MBTX20U	21	175	87	155	6.89	3.43	6.10	
YB16-B2	19	175	100	155	6.89	3.94	6.10	MBTX20U	21	175	87	155	6.89	3.43	6.10	
YB16LB2	19	175	100	155	6.89	3.94	6.10	MBTX20U	21	175	87	155	6.89	3.43	6.10	
SYB16L-B	19	175	100	155	6.89	3.94	6.10	MBTX20U	21	175	87	155	6.89	3.43	6.10	
YB16-B-CX	19	175	100	155	6.89	3.94	6.10	MBTX20U	21	175	87	155	6.89	3.43	6.10	
YB16C-B	19	175	100	175	6.89	3.94	6.89	MBTX20U	21	175	87	175	6.89	3.43	6.89	with 20mm spacer
YB16CL-B	19	175	100	175	6.89	3.94	6.89	MBTX20U	21	175	87	175	6.89	3.43	6.89	with 20mm spacer
YB16HL-A-CX	19	175	100	155	6.89	3.94	6.10	MBTX20U	21	175	87	155	6.89	3.43	6.10	
YB16L-B	19	175	100	155	6.89	3.94	6.10	MBTX20U	21	175	87	155	6.89	3.43	6.10	
YB18-A	18	180	90	162	7.09	3.54	6.38	MBI8U	22.5	180	90	162	7.09	3.54	6.38	
YB18L-A	18	180	90	162	7.09	3.54	6.38	MBI8U	22.5	180	90	162	7.09	3.54	6.38	
YB18L-A2	18	180	90	162	7.09	3.54	6.38	MBI8U	22.5	180	90	162	7.09	3.54	6.38	
YB30L-B	30	168	132	176	6.61	5.20	6.93	MBTX30U	32	166	126	175	6.54	4.96	6.89	
YB30CL-B	30	168	132	192.2	6.61	5.20	7.57	MBTX30U	32	166	126	192	6.54	4.96	7.56	with 17mm spacer
YIX30L	30	166	126	175	6.54	4.96	6.89	MBTX30U	32	166	126	175	6.54	4.96	6.89	
YHD-12H	28	206	133	165	8.11	5.24	6.50	MBHD12H	33	200	130	163	7.87	5.12	6.42	
YT4L-BS	3	114	71	86	4.49	2.80	3.39	MBTX4U	4.7	114	70	87	4.49	2.76	3.43	
YTX4L-BS	3	114	71	86	4.49	2.80	3.39	MBTX4U	4.7	114	70	87	4.49	2.76	3.43	
YTX5L-BS	4	114	71	106	4.50	2.81	4.19	MBTZ7S	6.5	114	70	107	4.49	2.76	4.21	
YTYB-BS	6.5	150	65	93	5.91	2.56	3.66	MB7U	6.5	151	65	94	5.94	2.56	3.70	
YTX7A-BS	6	150	87	94	5.91	3.43	3.70	MBTZ10S	8.6	151	87	95	5.94	3.43	3.74	
YTX7L-BS	6	114	71	131	4.49	2.80	5.16	MBTX7U	8	114	70	128	4.49	2.76	5.04	
YTX9-BS	8	150	87	105	5.91	3.43	4.13	MBTX9U	10.5	151	87	105	5.94	3.43	4.13	
YT12A-BS	9.5	150	87	105	5.91	3.43	4.13	MBTX9U	10.5	151	87	105	5.94	3.43	4.13	
YT12B-BS	10	150	69	130	5.91	2.72	5.12	MBTI2B4	11	150	70	130	5.91	2.76	5.12	
YTX12-BS	10	150	87	130	5.91	3.43	5.12	MBTX12U	14	151	87	130	5.94	3.43	5.12	
YT14B-BS	12	150	70	145	5.91	2.76	5.71	MBTI4B4	13	150	70	145	5.91	2.76	5.71	
YTX14AH	12	134	89	166	5.28	3.50	3.50	MBTX14AU	16.5	135	90	168	5.31	3.54	6.61	
YTX14AHBS	12	134	89	166	5.28	3.50	3.50	MBTX14AU	16.5	135	90	168	5.31	3.54	6.61	
YTX14AHLBS	12	134	89	166	5.28	3.50	3.50	MBTX14AU	16.5	135	90	168	5.31	3.54	6.61	
YTX14-BS	12	150	87	145	5.91	3.43	5.71	MBTX12U	14	151	87	145	5.94	3.43	5.71	with 15mm spacer
YTX14H-BS	12	150	87	145	5.91	3.43	5.71	MBTX12U	14	151	87	145	5.94	3.43	5.71	with 15mm spacer
YTX14L-BS	12	150	87	145	5.91	3.43	5.71	MBTX12U	14	151	87	145	5.94	3.43	5.71	with 15mm spacer
YTX14AH	12	134	89	166	5.28	3.50	6.54	MBTX14AU	16.5	135	90	168	5.31	3.54	6.61	
YTX14AH-BS	12	134	89	166	5.28	3.50	6.54	MBTX14AU	16.5	135	90	168	5.31	3.54	6.61	
YTX14AHL-BS	12	134	89	166	5.28	3.50	6.54	MBTX14AU	16.5	135	90	168	5.31	3.54	6.61	
YTX16-BS	14	150	87	161	5.91	3.43	6.34	MBTX16U	19	151	87	161	5.94	3.43	6.34	
YTX16-BS-1	14	150	87	161	5.91	3.43	6.34	MBTX16U	19	151	87	161	5.94	3.43	6.34	
YTX20CH-BS	18	150	87	161	5.91	3.43	6.34	MBTX16U	19	151	87	161	5.94	3.43	6.34	
YTX20-BS	18	175	87	155	6.89	3.43	6.10	MBTX20U	21	175	87	155	6.89	3.43	6.10	
YTX20H-BS	18	175	87	155	6.89	3.43	6.10	MBTX20U	21	175	87	155	6.89	3.43	6.10	
YTX20HL-BS	18	175	87	155	6.89	3.43	6.10	MBTX20U	21	175	87	155	6.89	3.43	6.10	
YTX20HL-BS-PW	18	175	87	155	6.89	3.43	6.10	MBTX20U	21	175	87	155	6.89	3.43	6.10	
YTX20L-BS	18	175	87	155	6.89	3.43	6.10	MBTX20U	21	175	87	155	6.89	3.43	6.10	
YTX24HL	21	205	87	162	8.07	3.43	6.38	MBTX24U	25	205	87	162	8.07	3.43	6.38	
YTX24HL-BS	21	205	87	162	8.07	3.43	6.38	MBTX24U	25	205	87	162	8.07	3.43	6.38	
YT7B-4	6.5	150	65	93	5.91	2.56	3.66	MB7U	6.5	151	65	94	5.94	2.56	3.70	
YT12B-4	10	150	69	130	5.91	2.72	5.12	MBTI2B4	11	150	70	130	5.91	2.76	5.12	
YTYZ7S	6	114	70	107	4.49	2.76	4.21	MBTZ7S	6.5	114	70	107	4.49	2.76	4.21	
YTYZ10S	8.6	150	87	93	5.91	3.43	3.66	MBTZ10S	8.6	151	87	95	5.94	3.43	3.74	
YTYZ12S	11	150	87	110	5.91	3.43	4.33	MBTX9U	10.5	151	87	110	5.94	3.43	4.33	with 5mm spacer
YTYZ14S	11.2	150	87	110	5.91	3.43	4.33	MBTX9U	10.5	151	87	110	5.94	3.43	4.33	with 5mm spacer
51814	19	186	82	171	7.32	3.23	6.73	MB51814	22	186	82	171	7.32	3.23	6.73	
51913	19	186	82	171	7.32	3.23	6.73	MB51814	22	186	82	171	7.32	3.23	6.73	

MOTOBATT	Replaces	Normal battery (Ah)	MOTOBATT					Notes	Terminals	Replaces	L (mm)	W (mm)	H (mm)
			Ah	L (mm)	W (mm)	H (mm)	Total H (mm)						
MB2.5U	YB2.5-C	2.5	2.5	80	70	105	105		2	YB2.5-C	80	70	105
	YB2.5-C-1	2.5								YB2.5-C-1	80	70	105
	YB2.5-C-2	2.5								YB2.5-C-2	80	70	105
MB3U	YB3L-A	3	3.8	98	56	110	110		2	YB3L-A	98	56	110
	YB3L-B	3								YB3L-B	98	56	110
MBTX4U	YTX4LBS	3	4.7	114	70	87	87		2	YTX4LBS	114	71	86
	YT4LBS	4								YT4LBS	114	71	86
	YB4LA	4								YB4LA	120	70	92
	YB4LB	4								YB4LB	120	70	92
MBTZ7S	YTX5L-BS	4	6.5	114	70	107	107		2	YTX5L-BS	114	70	107
	YTZ7S	6								YTZ7S	114	70	107
MB7U	YT7BBS	6.5	6.5	151	65	94	94		2	YT7BBS	150	65	93
	YT7B4	6.5								YT7B4	150	65	93
MB5U	YB5LB	5	7.0	120	60	130	130		2	YB5LB	120	60	130
	12N53B	5								12N53B	120	60	130
MB5.5U	12N5.5-3B	5.5	7.0	135	60	130	130		4	12N5.5-3B	135	60	130
	12N5.5-4A	5.5								12N5.5-4A	135	60	130
MBTX7U	YTX7LBS	6	8.0	114	70	128	128		2	YTX7LBS	114	71	131
MBTZ10S	YTX7ABS	6	8.6	151	87	95	95		4	YTX7ABS	150	87	94
	YTZ10S	8.6								YTZ10S	150	87	93
MB7BB	YB7B-B	7	9.0	150	60	130	130		4	YB7B-B	150	60	130
MBTX9U	YTX9BS	8	10.5	151	87	105	110	Includes 5mm bottom spacer	4	YTX9BS	150	87	105
	YT12ABS	9.5								YT12ABS	150	87	105
	YTZ12S	11								YTZ12S	150	87	110
	YTZ14S	11.2								YTZ14S	150	87	110
MB9U	12N73A	7	11.0	136	76	133	155	Includes 6 mm or 22 mm bottom spacer	4	12N73A	135	75	133
	12N73B	7								12N73B	135	75	133
	12N7D3B	7								12N7D3B	135	75	150
	12N74A	7								12N74A	135	75	133
	12N74B	7								12N74B	135	75	133
	YB7A	8								YB7A	135	75	133
	YB7AA	8								YB7AA	135	75	150
	YB7LA	8								YB7LA	135	75	133
	YB7LB	8								YB7LB	135	75	133
	YB9A	9								YB9A	135	75	139
	YB9AA	9								YB9AA	135	75	155
	YB9A2	9								YB9A2	135	75	139
	YB9LA2	9								YB9LA2	135	75	139
	YB9B	9								YB9B	135	75	139
	YB9LB	9								YB9LB	135	75	139
	YB9B2	9								YB9B2	135	75	139
	YB9LB2	9								YB9LB2	135	75	139
	12N93A	9								12N93A	135	75	139
	12N93A1	9								12N93A1	135	75	139
	12N93B	9								12N93B	135	75	139
12N94B1	9	12N94B1	135	75	139								
MBT12B4	YT12BBS	10	11.0	150	70	130	130		2	YT12BBS	150	69	130
	YT12B4	10								YT12B4	150	69	130
MBTX12U	YTX12BS	10	14.0	151	87	130	145	Includes 15mm bottom spacer	4	YTX12BS	150	87	130
	YTX14BS	12								YTX14BS	150	87	145
	YTX14HBS	12								YTX14HBS	150	87	145
	YTX14LBS	12								YTX14LBS	150	87	145
	KMX14BS	12								KMX14BS	150	87	145
MB10U	12N103A	10	14.5	135	90	146	155	Includes 9mm bottom spacer	4	12N103A	135	90	145
	12N103A1	10								12N103A1	135	90	145
	12N103A2	10								12N103A2	135	90	145
	12N103B	10								12N103B	135	90	145
	YB10AA2	11								YB10AA2	135	90	155
	YB10LA2	11								YB10LA2	135	90	145
	YB10LB	11								YB10LB	135	90	145
	YB10LB2	11								YB10LB2	135	90	145
	12N113A	11								12N113A	135	90	155
	12N113A1	11								12N113A1	135	90	155
	12N113B	11								12N113B	135	90	155

MOTOBATT	Replaces	Normal battery (Ah)	MOTOBATT					Notes	Terminals	Replaces	L (mm)	W (mm)	H (mm)
			Ah	L (mm)	W (mm)	H (mm)	Total H (mm)						
MB12U	YB12AA	12	15.0	135	80	161	175	Includes 14mm bottom spacer	4	YB12AA	134	80	160
	YB12AAS	12								YB12AAS	134	80	160
	YB12AAWS	12								YB12AAWS	134	80	160
	YB12ALA	12								YB12ALA	134	80	160
	YB12ALA2	12								YB12ALA2	134	80	160
	YB12AB	12								YB12AB	134	80	160
	YB12CA	12								YB12CA	134	80	175
	12N124A	12								12N124A	134	80	160
	12N124A4A1	12								12N124A4A1	134	80	160
MBT14B4	YT14BBS	12	13	150	70	145	145		2	YT14BBS	150	70	145
	YT14B4	12								YT14B4	150	70	145
MBTX14AU	YTX14AH	12	16.5	135	90	168	176	Includes 8mm bottom spacer	4	YTX14AH	134	89	166
	YTX14AHBS	12								YTX14AHBS	134	89	166
	YTX14AHLBS	12								YTX14AHLBS	134	89	166
	YB14A1	14								YB14A1	134	89	166
	YB14A2	14								YB14A2	134	89	166
	YB14AA	14								YB14AA	134	89	176
	YB14AA1	14								YB14AA1	134	89	176
	YB14AA2	14								YB14AA2	134	89	176
	YB14B1	14								YB14B1	134	89	166
	YB14B2	14								YB14B2	134	89	166
	YB14LA1	14								YB14LA1	134	89	166
	YB14LA2	14								YB14LA2	134	89	166
	YB14LB1	14								YB14LB1	134	89	166
	YB14LB2	14								YB14LB2	134	89	166
	YB14LA2S	14								YB14LA2S	134	89	166
	SYB14LA2	14								SYB14LA2	134	89	166
	SYB14LB2	14								SYB14LB2	134	89	166
12N143A	14	12N143A	134	89	166								
12N143B	14	12N143B	134	89	166								
MB16A	HYB16AA	16	17.5	151	91	181	181		2	HYB16AA	151	91	180
	HYB16A-AB	16								HYB16A-AB	151	91	180
MBTX16U	YTX16BS	14	19.0	151	87	161	161		4	YTX16BS	150	87	161
	YTX16BS1	14								YTX16BS1	150	87	161
	YTX20CHBS	18								YTX20CHBS	150	87	161
MB16U	YB16BA	16	20.0	160	90	161	161		4	YB16BA	160	90	161
	YB16BA1	16								YB16BA1	160	90	161
	YB16BA2	16								YB16BA2	160	90	161
MB16AU	YB16ALA2	16	20.5	207	72	164	164		2	YB16ALA2	207	71.5	164
MBTX20U	12N16 3A	16	21.0	175	87	155	175	Includes 20mm bottom spacer and a side spacer	4	12N16 3A	176	101	156
	12N16 3B	16								12N16-3B	175	100	155
	12N16 4A	16								12N16 4A	176	101	156
	12N16 4B	16								12N16 4B	176	101	156
	YTX20BS	18								YTX20BS	175	87	155
	YTX20HBS	18								YTX20HBS	175	87	155
	YTX20LBS	18								YTX20LBS	175	87	155
	YTX20HLBS	18								YTX20HLBS	175	87	155
	YTX20HLBSPW	18								YTX20HLBSPW	175	87	155
	YB16A	19								YB16A	175	100	155
	YB16A2	19								YB16A2	175	100	155
	YB16B	19								YB16B	175	100	155
	YB16B2	19								YB16B2	175	100	155
	YB16HLACX	19								YB16HLACX	175	100	155
	SYB16LB	19								SYB16LB	175	100	155
	YB16LA	19								YB16LA	175	100	155
	YB16LA2	19								YB16LA2	175	100	155
	YB16LB	19								YB16LB	175	100	155
	YB16LB2	19								YB16LB2	175	100	155
	YB16CB	19								YB16CB	175	100	175
YB16CLB	19	YB16CLB	175	100	175								
YB16BCX	19	YB16BCX	175	100	155								



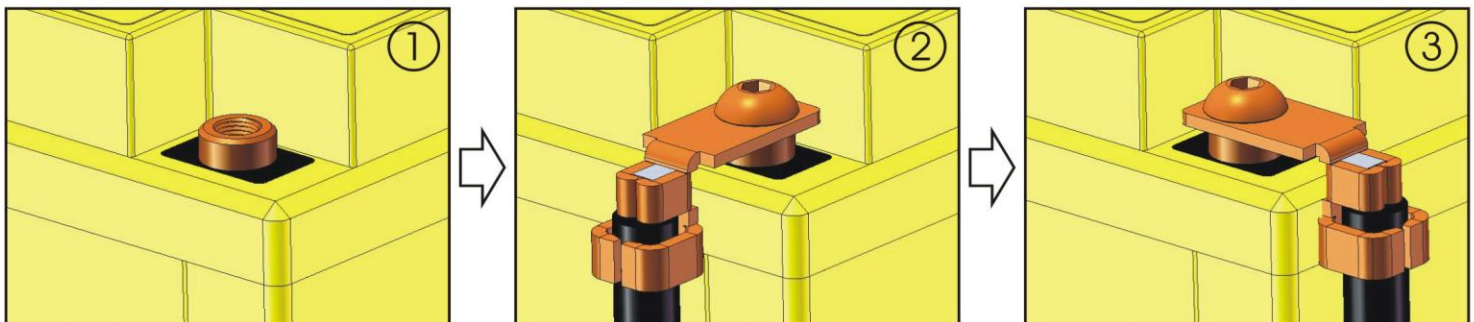
MOTOBATT	Replaces	Normal battery (Ah)	MOTOBATT					Notes	Terminals	Replaces	L (mm)	W (mm)	H (mm)
			Ah	L (mm)	W (mm)	H (mm)	Total H (mm)						
MB51814	51814	19	22.0	186	82	171	171		4	51814	186	82	171
	51913	19								51913	186	82	171
MB18U	YB18A	18	22.5	180	90	162	162		4	YB18A	180	90	162
	YB18LA	18								YB18LA	180	90	162
	YB18LA2	18								YB18LA2	180	90	162
MBTX24U	12N183	18	25.0	205	87	162	176	Includes 14mm bottom spacer	4	12N183	206	91	164
	12N183A	18								12N183A	206	91	164
	Y50N18AA	20								Y50N18AA	205	90	176
	Y50N18LA	20								Y50N18LA	205	90	162
	Y50N18LA2	20								Y50N18LA2	205	90	162
	Y50N18LA3	20								Y50N18LA3	205	90	162
	Y50N18LACX	20								Y50N18LACX	205	90	162
	SY50N18LA	20								SY50N18LA	205	90	162
	SY50N18LAT	20								SY50N18LAT	205	90	162
	YTX24HLBS	21								YTX24HLBS	205	87	162
	YTX24HL	21								YTX24HL	205	87	162
	MBTX30U	Y60N24A								28	32.0	166	126
Y60N24ALB		28	Y60N24ALB	184	124	175							
Y60N24LA		28	Y60N24LA	184	124	175							
Y60N24LA2		28	Y60N24LA2	184	124	175							
12N24 3		24	12N243	184	124	175							
12N24 3A		24	12N243A	184	124	175							
12N24 4		24	12N24 4	184	124	175							
12N24 4A		24	12N24 4A	184	124	175							
YIX30L		30	YIX30L	166	126	175							
YB30LB		30	YB30LB	168	132	176							
YB30CLB		30	YB30CLB	168	132	192.2							
Y60N30LA		30	Y60N30LA	187	130	170							
Y60N30LB		30	Y60N30LB	187	130	170							
53030		30	53030	186	130	171							
MBHD12H		YHD-12H	28	33.0	200	130	163	163	Flat terminal	2			

MOTOBATT

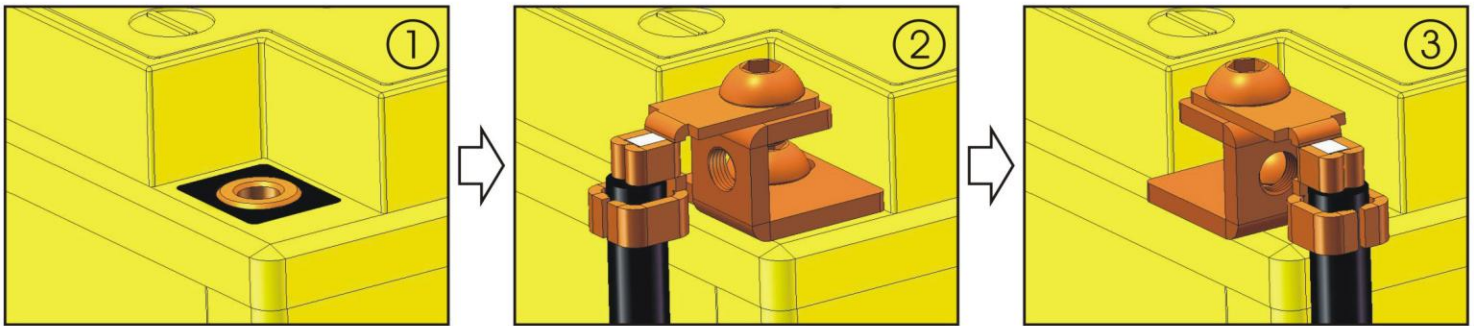
QuadFlex™ Battery

These are the different configurations available with the included terminal adaptors.

A



B

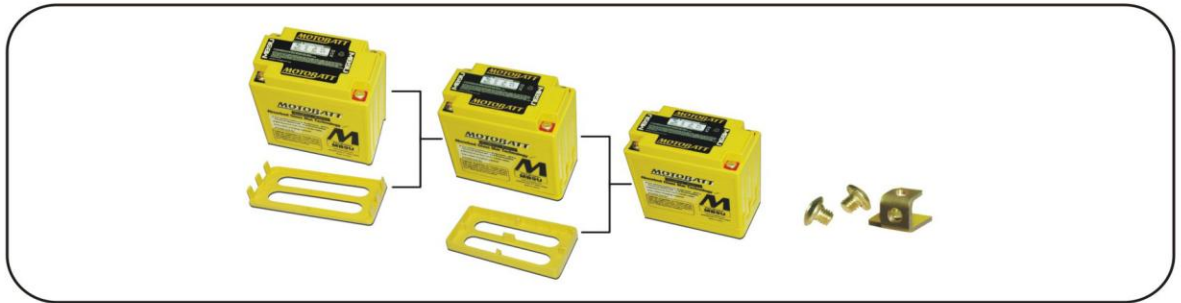


Discharge in Amps to 7.2V

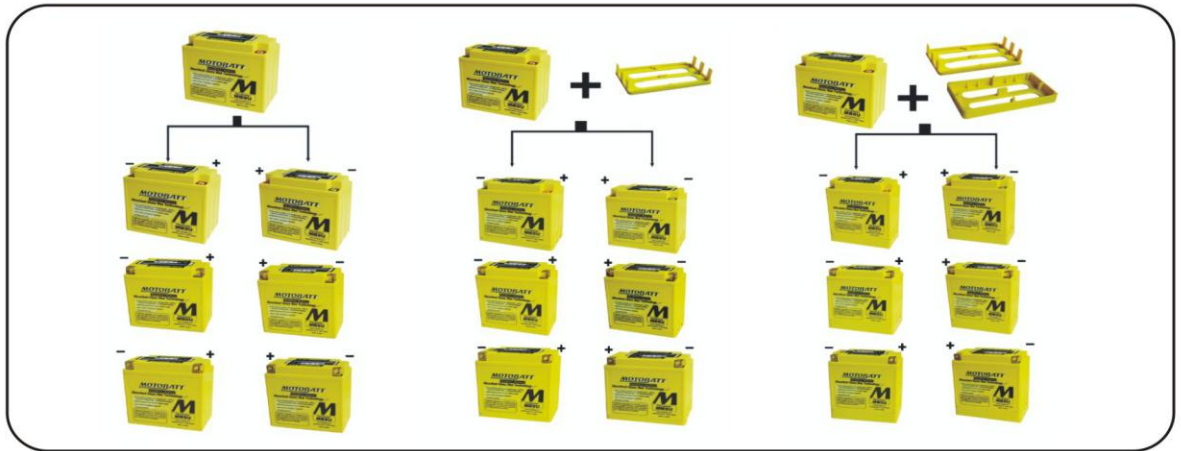
NO	Model (MOTOBATT)	Reference CCA(-18°C) (A)	5 sec (V)	10 sec (V)	20 sec (V)	30 sec (V)	10Hr (Ah)	Reference N.W(Kg)
1	MB2.5U	\	\	\	\	\	2.5	1.18
2	MB3U	40	9.02	8.51	7.93	7.22	3.8	1.34
3	MBTX4U	70	8.97	8.75	8.32	7.08	4.7	1.57
4	MB7U	100	8.64	8.40	8.03	7.39	6.5	2.40
5	MBTZ7S	130	8.65	8.35	7.80	7.23	6.5	2.09
6	MB5U	105	8.47	8.13	7.58	6.30	7.0	2.30
7	MB5.5U	105	8.61	8.28	7.67	7.15	7.0	2.40
8	MBTX7U	115	8.70	8.50	8.10	7.50	8.0	2.60
9	MBTZ10S	190	8.76	8.52	8.03	7.20	8.6	2.90
10	MB7BB	150	8.51	8.20	7.73	7.23	9.0	3.00
11	MBTX9U	160	8.33	8.06	7.69	7.32	10.5	3.30
12	MB9U	140	7.95	7.70	7.45	7.15	11.0	3.35
13	MBT12B4	175	8.49	8.05	7.60	7.13	11.0	3.52
14	MBTX12U	200	8.56	8.35	8.01	7.20	14.0	4.40
15	MB10U	175	8.20	8.00	7.55	7.19	14.5	4.25
16	MB12U	160	8.23	8.05	7.60	7.21	15.0	4.40
17	MBT14B4	175	8.42	8.03	7.63	7.19	13.0	4.10
18	MBTX14AU	190	8.23	8.05	7.60	7.22	16.5	5.05
19	MB16A	200	8.26	8.00	7.50	7.20	19.0	5.60
20	MBTX16U	250	8.23	8.02	7.55	7.18	19.0	5.65
21	MB16U	240	8.23	7.95	7.51	7.30	20.0	5.90
22	MB16AU	230	8.27	8.02	7.57	7.17	20.5	6.25
23	MBTX20U	280	8.22	7.96	7.78	7.30	21.0	6.50
24	MB51814	260	9.12	8.70	8.01	7.19	22.0	6.75
25	MB18U	250	8.99	8.62	7.96	7.23	22.5	6.45
26	MBTX24U	285	8.00	7.77	7.50	7.21	25.0	7.30
27	MBTX30U	380	8.01	7.79	7.51	7.17	32.0	9.65
28	MBHD12H	390	8.10	7.85	7.55	7.21	33.0	10.50

BATTERY CONFIGURATIONS

A



B



MOTOBATT PATENTED TECHNOLOGY

Country	Remark
China	Patent Issued
Japan	Patent Issued
Europe	Patent Issued
U.S.A.	patent pending
PCT	patent pending

MOTOBATT Distributors:

U.S.A.: SUNN BATTERY COMPANY www.motobatteries.com	South Africa: Interac Distribution (Pty) Ltd. www.interacsa.co.za
UK: Hi-Level Enterprises Ltd www.hilevel.co.uk	Malaysia: MC ACCESSORIES SDN,BHD www.mc-acc.com
New Zealand: W. White (Wholesale) Limited www.whites.co.nz	Indonesia: MOTOBATT INDONESIA
Australia: Birdman Motorcycle Accessories Pty Ltd A-One Accessories Imports	