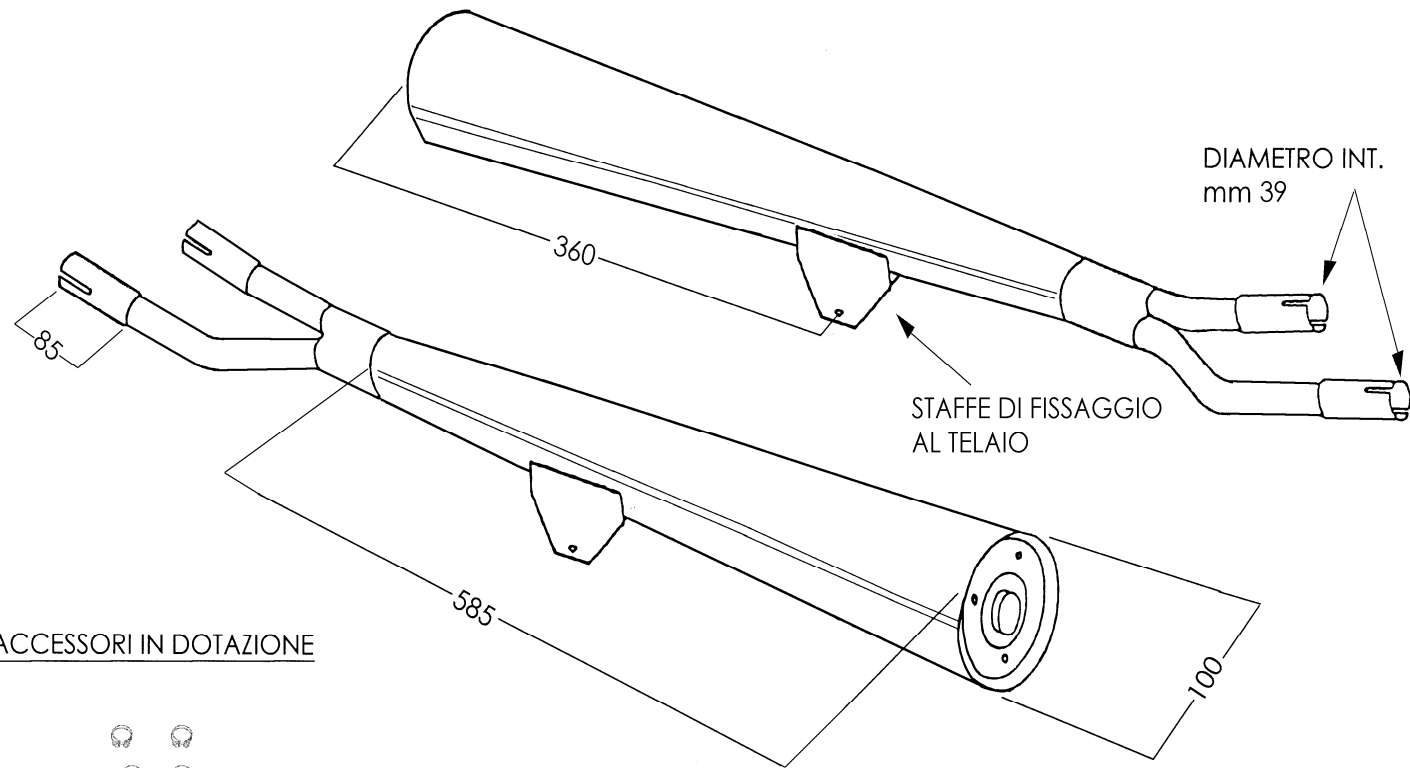




SUZUKI GS 850 G

ARTICOLO COMMERCIALE: S/2057/BC
COPPIE MARMITTE AFTER MARKET
CROMATO BIANCO



N° 4 FASCETTE
DIAM. mm 43